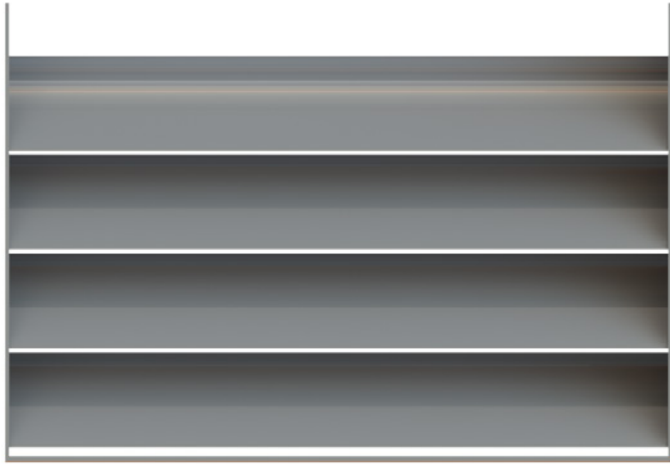
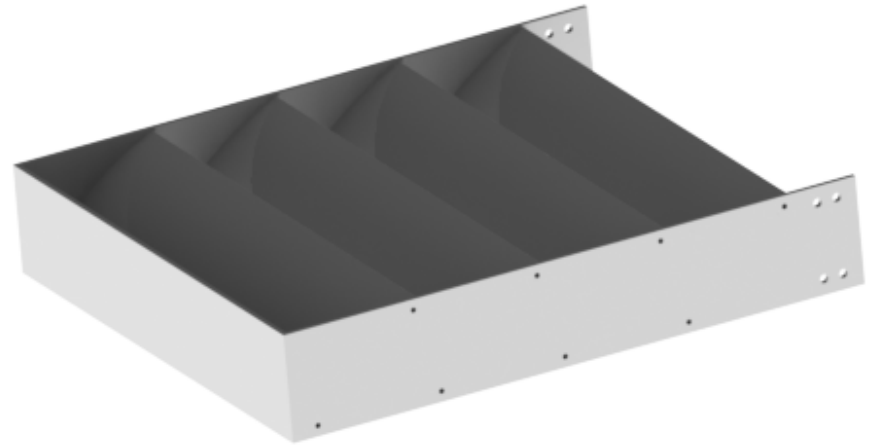


## AIRFOIL SUNSHADES



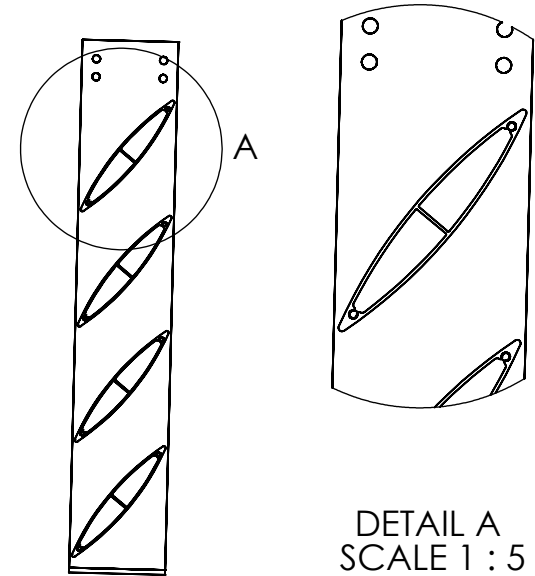
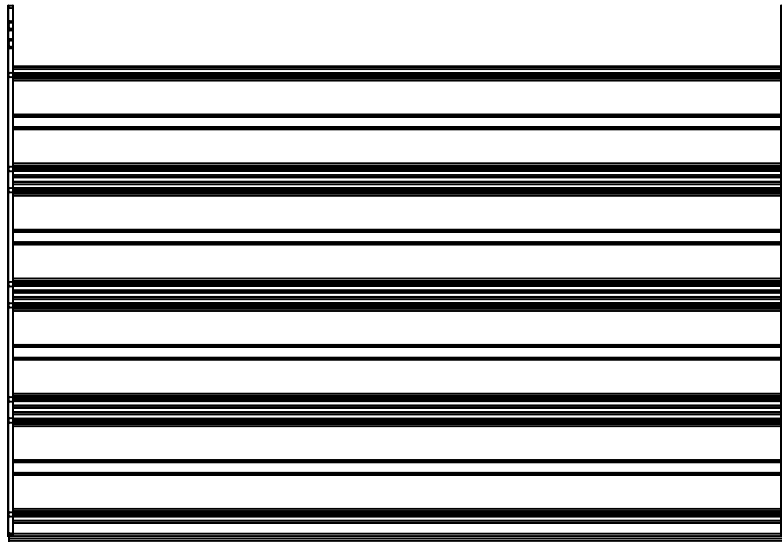
TOP VIEW



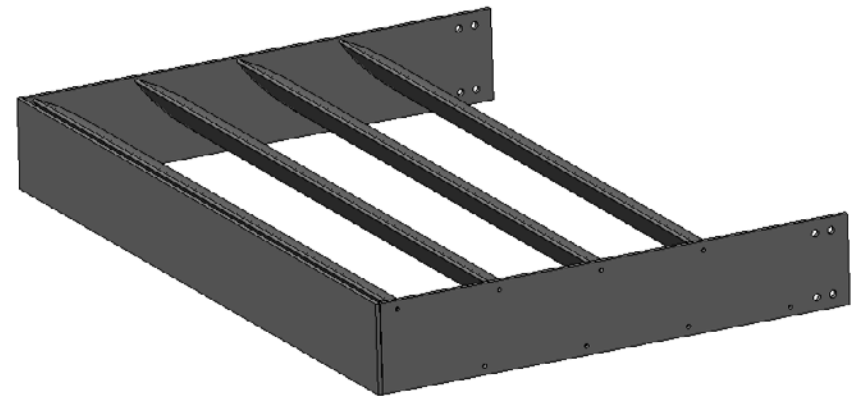
ISO VIEW



CROSS-SECTIONAL VIEW



DETAIL A  
SCALE 1 : 5



**PROPRIETARY AND CONFIDENTIAL**  
 THE INFORMATION CONTAINED IN THIS DRAWING IS THE SOLE PROPERTY OF PANELEX INDUSTRIES LD. ANY REPRODUCTION IN PART OR AS A WHOLE WITHOUT THE WRITTEN PERMISSION OF PANELEX INDUSTRIES LTD. IS PROHIBITED.

		DIMENSIONS ARE IN INCHES TOLERANCES: FRACTIONAL ± ANGULAR: MACH ± BEND ± TWO PLACE DECIMAL ± THREE PLACE DECIMAL ±		NAME	DATE	PANELEX INDUSTRIES		
		MATERIAL: ALUMINUM ---	FINISH : POST PAINTED ; COLOR AS PER CLIENT REQUEST	DRAWN R,R	11/05/14			AIRFOIL SUNSHADES
NEXT ASSY	USED ON			CHECKED		SIZE <b>A</b>	DWG. NO. BRICK VENT 1	
APPLICATION		DO NOT SCALE DRAWING		ENG APPR.		SCALE:1:20	WEIGHT:	SHEET 1 OF 1
				MFG APPR.				
				Q.A.				
				COMMENTS: EXTRUDED BLADES, S.S. COUNTERSUNK FASTENERS, WELDED TO THE FRAME ( NO VISIBLE WELDS), POST PAINTED IN A DURANAR/DURACRON FINISH, ANY COLOR MATCH POSSIBLE.				