

4

3

2

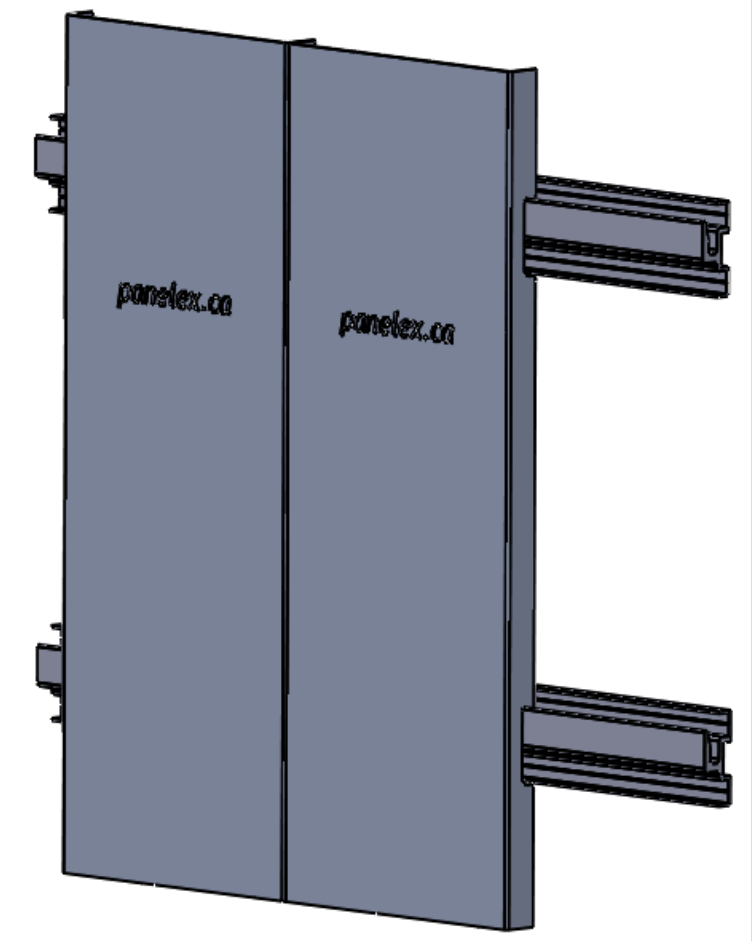
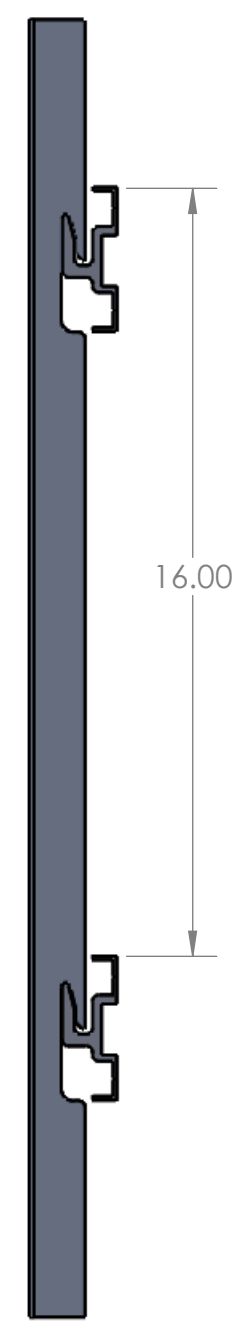
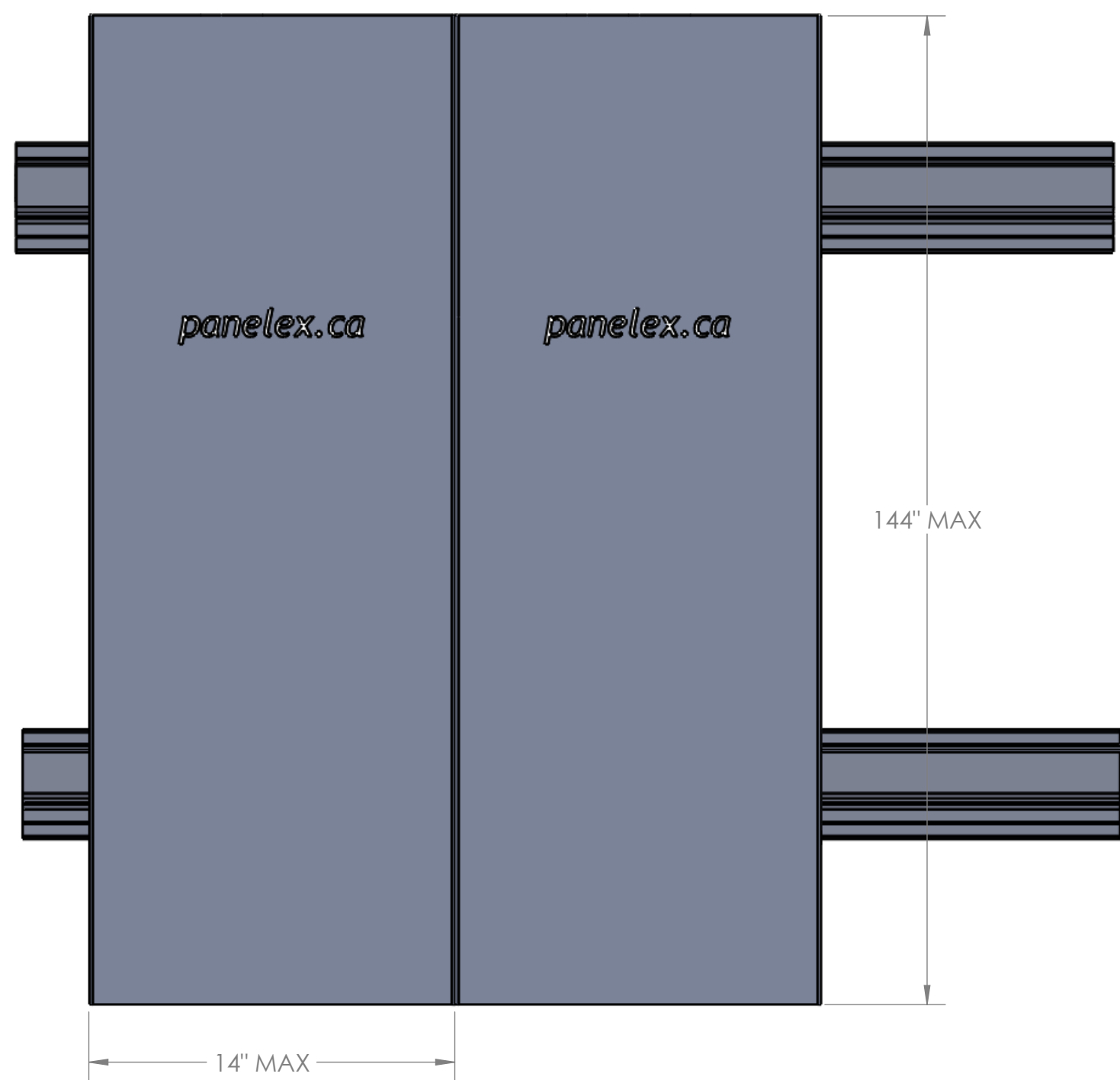
1

B

B

A

A



PROPRIETARY AND CONFIDENTIAL
 THE INFORMATION CONTAINED IN THIS DRAWING IS THE SOLE PROPERTY OF PANELEX INDUSTRIES. ANY REPRODUCTION IN PART OR AS A WHOLE WITHOUT THE WRITTEN PERMISSION OF PANELEX INDUSTRIES IS PROHIBITED.

		UNLESS OTHERWISE SPECIFIED:		NAME	DATE
		DIMENSIONS ARE IN INCHES TOLERANCES: FRACTIONAL ± ANGULAR: MACH ± BEND ± TWO PLACE DECIMAL ± THREE PLACE DECIMAL ±		DRAWN	
		INTERPRET GEOMETRIC TOLERANCING PER:		CHECKED	
		MATERIAL: ALUMINUM 5052		ENG APPR.	
NEXT ASSY	USED ON	FINISH: DURANAR XL - COLOR TBD BY CLIENT		MFG APPR.	
APPLICATION		DO NOT SCALE DRAWING		Q.A.	
				COMMENTS:	
				POST PAINTED IN A DURANAL XL FINISH 14 GA ALUMINUM PANEL WITH PROPRIETARY EXTRUSIONS BY PANELEX INDUSTRIES.	
		TITLE:		P XV-14 SERIES	
SIZE	DWG. NO.	REV			
B					
SCALE: 1:12		WEIGHT:		SHEET 1 OF 1	

4

3

2

1