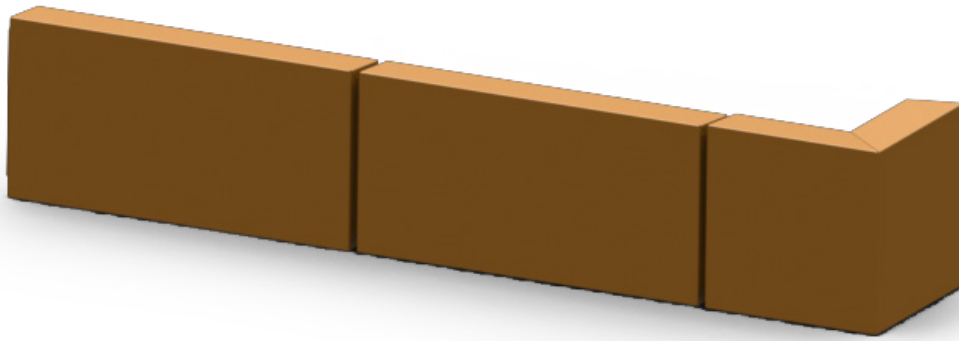
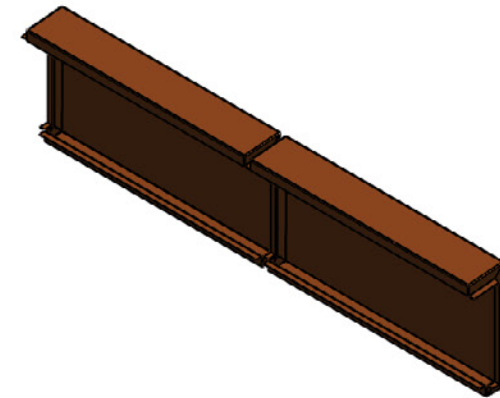
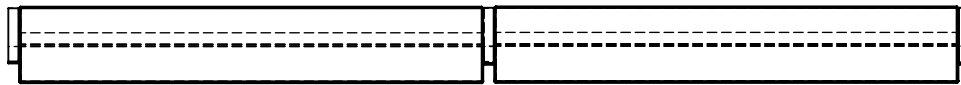
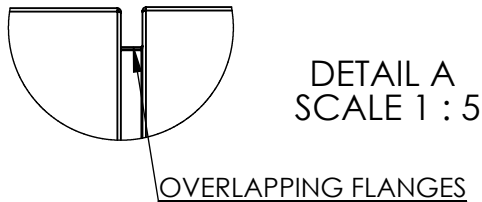
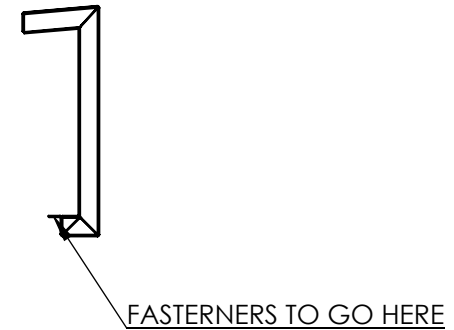
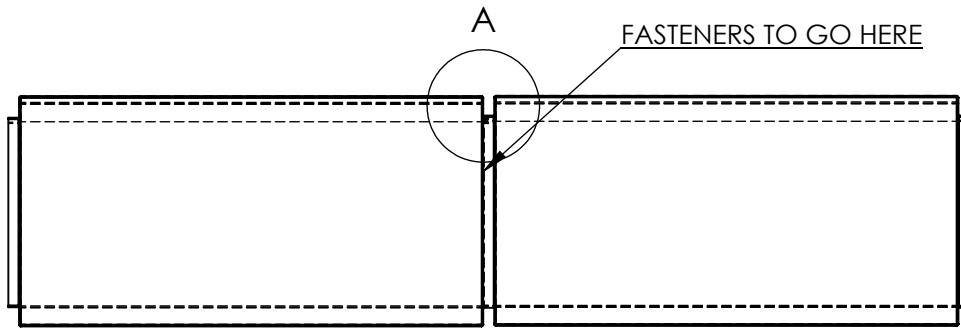


FASCIA PANELS



HAT TRACK STYLE FASCIA PANEL SYSTEM WITH FASTENERS ON TOP OF PARAPET AND BOTTOM OF FASCIA.

PROPRIETARY AND CONFIDENTIAL
 THE INFORMATION CONTAINED IN THIS DRAWING IS THE SOLE PROPERTY OF PANELEX INDUSTRIES LD. ANY REPRODUCTION IN PART OR AS A WHOLE WITHOUT THE WRITTEN PERMISSION OF PANELEX INDUSTRIES LTD. IS PROHIBITED.

		DIMENSIONS ARE IN INCHES TOLERANCES: FRACTIONAL ± ANGULAR: MACH ± BEND ± TWO PLACE DECIMAL ± THREE PLACE DECIMAL ±	NAME	DATE	PANELEX INDUSTRIES	
		MATERIAL: 0.080 ALUMINUM ---	R.R.	11/05/14	FASCIA PANELS	
		FINISH: POST PAINTED - COLOR AS PER CLIENT REQUEST	CHECKED			
NEXT ASSY	USED ON		ENG APPR.			
			MFG APPR.			
			Q.A.		SIZE A DWG. NO. BRICK VENT 1 REV. SCALE:1:10 WEIGHT: SHEET 1 OF 1	
APPLICATION	DO NOT SCALE DRAWING	COMMENTS: FABRICATED PANELS NO EXPOSED FASTENERS, WELDED CORNERS (NO VISIBLE WELDS). POST PAINTED IN A DURANAR/DURACRON FINISH. ANY COLOR MATCH POSSIBLE. NO OIL CANNING				