



PANELS - TECHNICAL INFORMATION



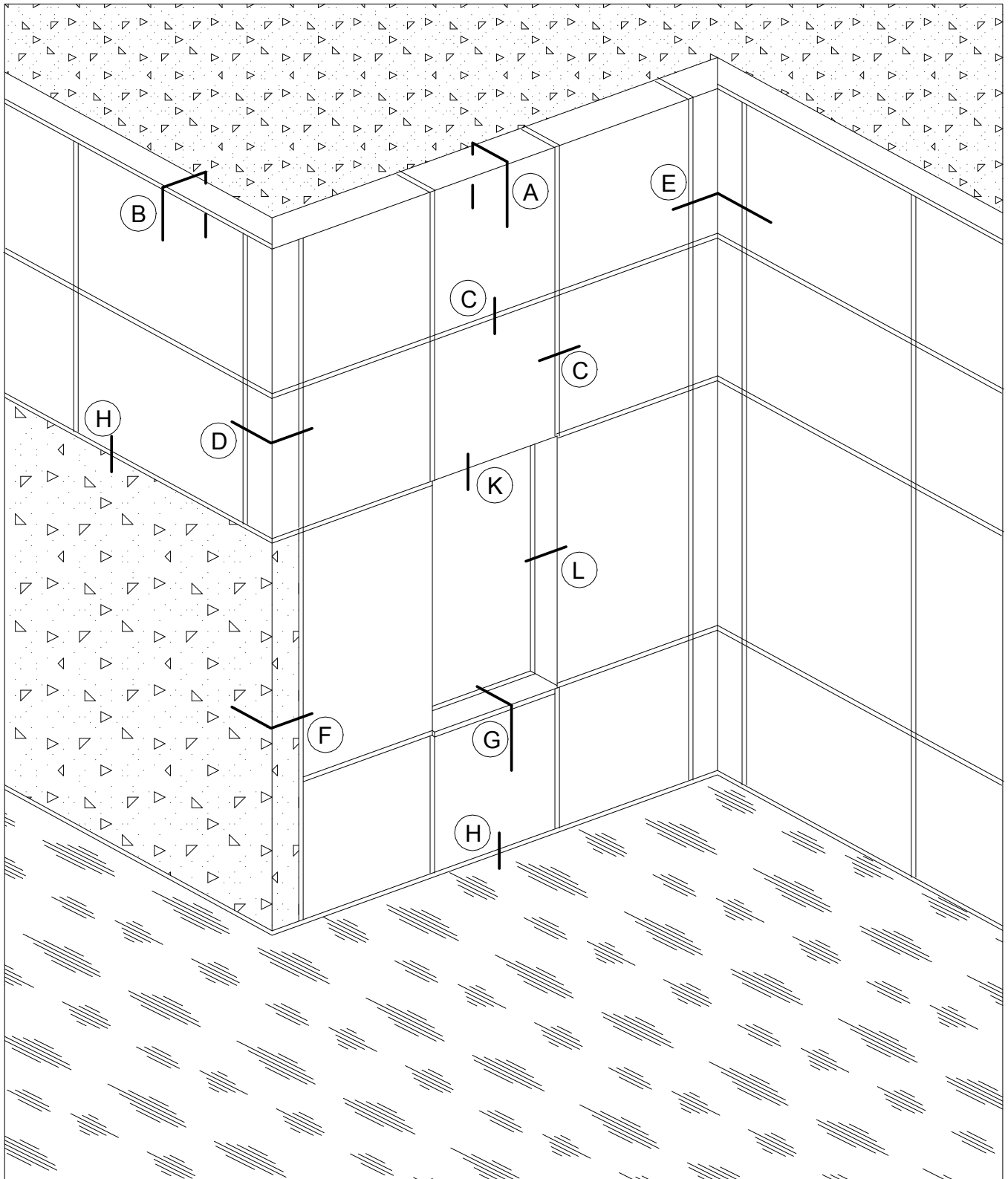


OVERVIEW

Panelex Industries is a proud manufacturer, fabricator, installer, and distributor of Architectural Wall Systems. We have worked successfully with Architects, Developers, Owners, Construction Management Companies, and General Contractors with different materials, technology and design to overcome the challenges of modern day design keeping in mind the environment and its sustainability.

With our coatings division, PRIMEX we are able to match the colors of our panels and flashings to your extrusions in - house. We specialize in meeting the custom needs of each client. We are open to innovation and can provide design support to make it happen.

Our panels come in various finishes such as Wood Grain, Rheinzink, Metallic Colors, Solid Colors, 2 or more tone finishes and some 3D effects. With our expertise and competitiveness, we are always developing different types of finishes that appeal to all levels of architectural design.



PANELEX <small>INDUSTRIES</small> Contractor:	Shop Drawing Component: LOCATION		SCALE :	IMPORTANT PHONE #
	Approved For Production By :		DATE :	
Project:	NAME :	DATE :	REVISION :	
GENERAL ARRANGEMENT	PHONE #	DESIGN BY: GREGORY PALAMARZ (ENG. REG.)	DRAWN BY: GREGORY PALAMARZ (ENG. REG.)	DESIGNER Cell # (604) 307-4472 SHEET : 00

TABLE OF CONTENTS

SHEET No.

00	Cross Section Locator
01	Legend and Content
02	Quick Reference (Overview)
03	Thermally " Broken " Arrangement
A	Parapet (Paneled)
B	Parapet (Flashing)
C	Joint (Typical)
D	Corner Assembly
E	Inside Corner Assembly
F	Termination Detail
G	Window Sill
H	Base
K	Window Head (Vented)
L	Window Head (Typ.)

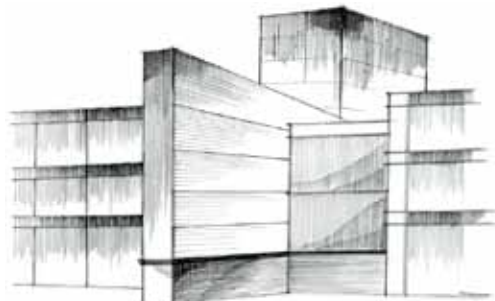
① Solid Aluminum Plate Panel Assembly (Post Painted) (Or Composite)

Solid Aluminum	Composite
Thicness Available .125"	4 mm
.100"	6 mm
.080"	

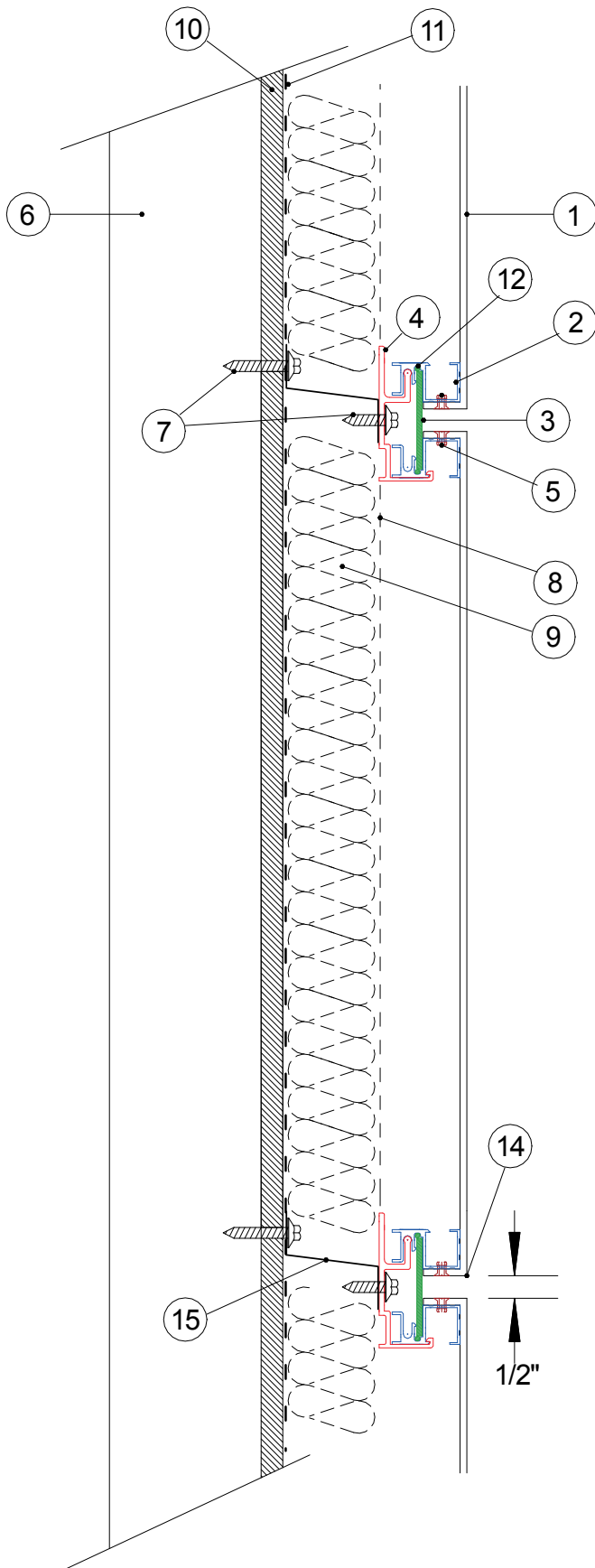
All Post Painted In PPG or VALSPAR
Full Strength (70% Kaynar) Bake On Coatings

- ② Aluminum Frame Assembly
- ③ Solid Aluminum Splice
- ④ Aluminum Attachment Clip
- ⑤ Aluminum Rivet
- ⑥ Steel Stud
- ⑦ Fasteners As Required
- ⑧ Galv. Steel Mash
- ⑨ Insulation
- ⑩ Drywall
- ⑪ Air / Vapor Barrier
- ⑫ Air Gasket
- ⑭ Sharp Corner (Post Painted)
- ⑮ "Z" Channel Subgirt (Galv.)
- ⑯ Sprayed on Insulation
- ⑰ Thermally "Broken" Aluminum Sub frame
- ⑱ Bug Screen / Air Vent
- ⑲ Flashing / Trim
- ⑳ Reinforcing Sub frame (Galv.)

PANELEX
INDUSTRIES



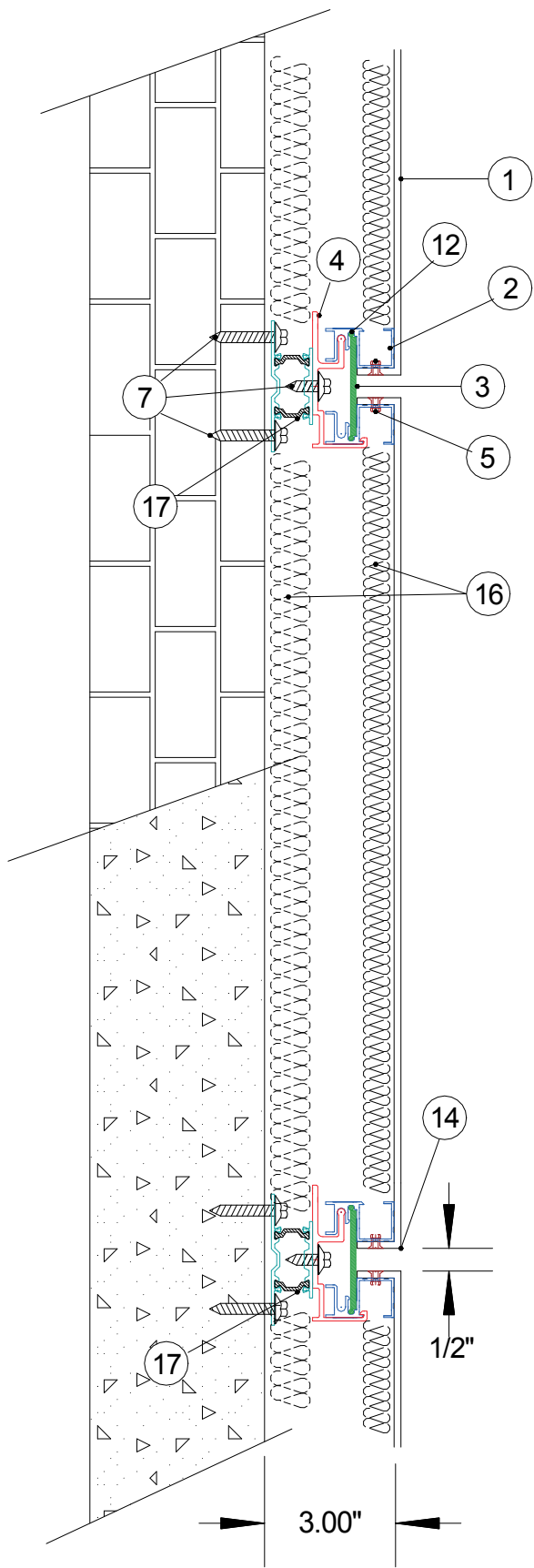
PANELEX



- ① Solid Aluminum Plate Panel Assembly
(Or Composite)
Solid Aluminum Composite
Thicness Available .125" 4 mm
 .100" 6 mm
 .080"
- All Post Painted In PPG or VALSPAR
Full Strength (70% Kaynar) Bake On Coatings
- ② Aluminum Frame Assembly
- ③ Solid Aluminum Splice
- ④ Aluminum Attachment Clip
- ⑤ Aluminum Rivet (Post Painted)
- ⑥ Steel Stud
- ⑦ Fasteners As Required
- ⑧ Galv. Steel Mash
- ⑨ Insulation
- ⑩ Drywall
- ⑪ Air / Vapor Barrier
- ⑫ Air Gasket
- ⑭ Sharp Corner (Post Painted)
- ⑮ "Z" Channel Subgirt (Galv.)

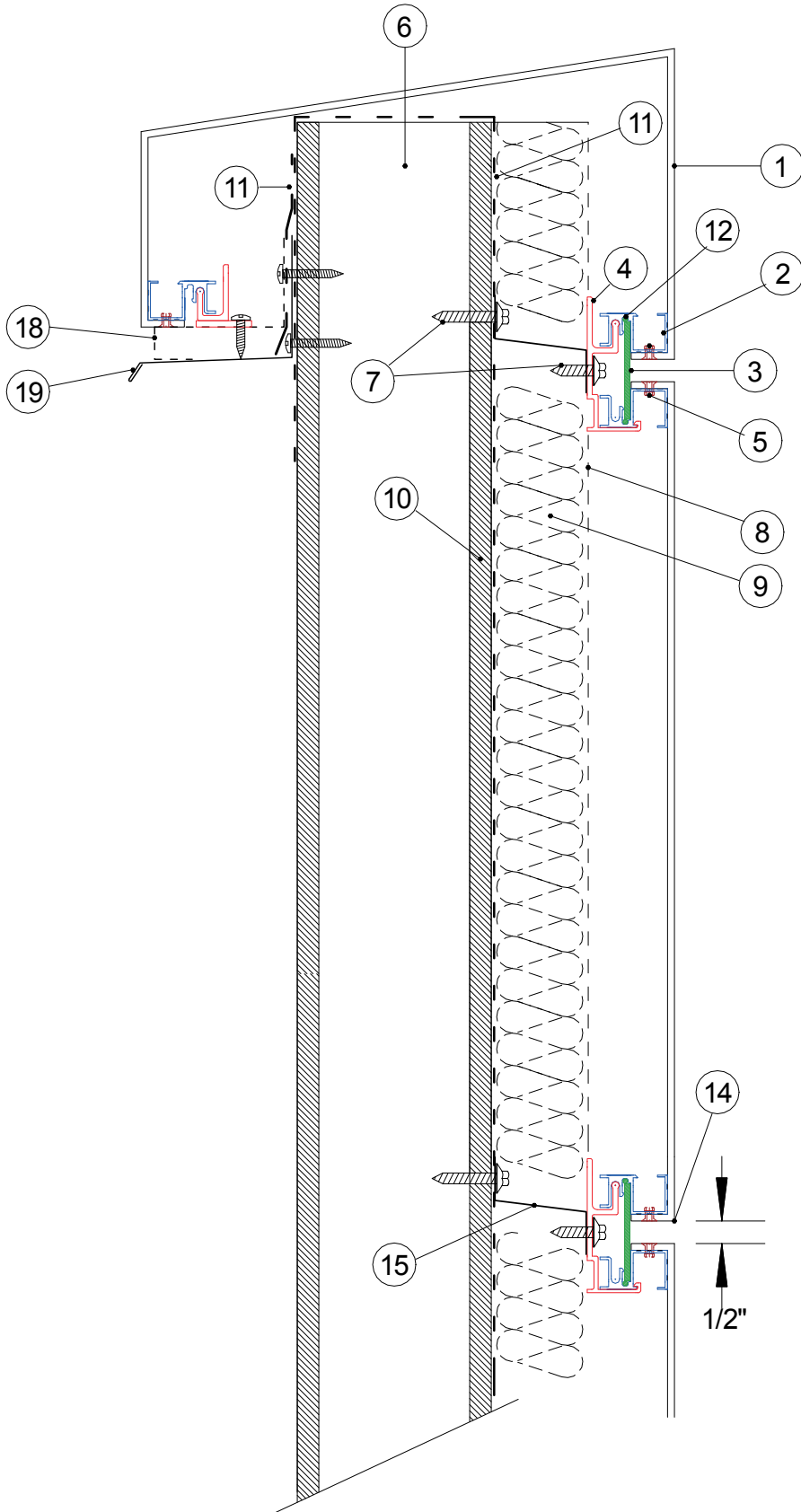
Insulated Wall Assembly Typ. Arrangement

PANELEX <small>INDUSTRIES</small>	PANEL DIVISION	Shop Drawing Component: STUD WALL ASSEMBLY		SCALE :	IMPORTANT PHONE #
	Contractor:	Approved For Production By :	DATE :	DATE :	REVISION :
Project:	NAME :	PHONE #	DESIGN BY: GREGORY PALAMARZ <small>(ENG. REG. IN)</small>	DESIGNER	Cell # (604) 307-4472
GENERAL ARRANGEMENT			DRAWN BY: GREGORY PALAMARZ <small>(ENG. REG. IN)</small>	SHEET :	02

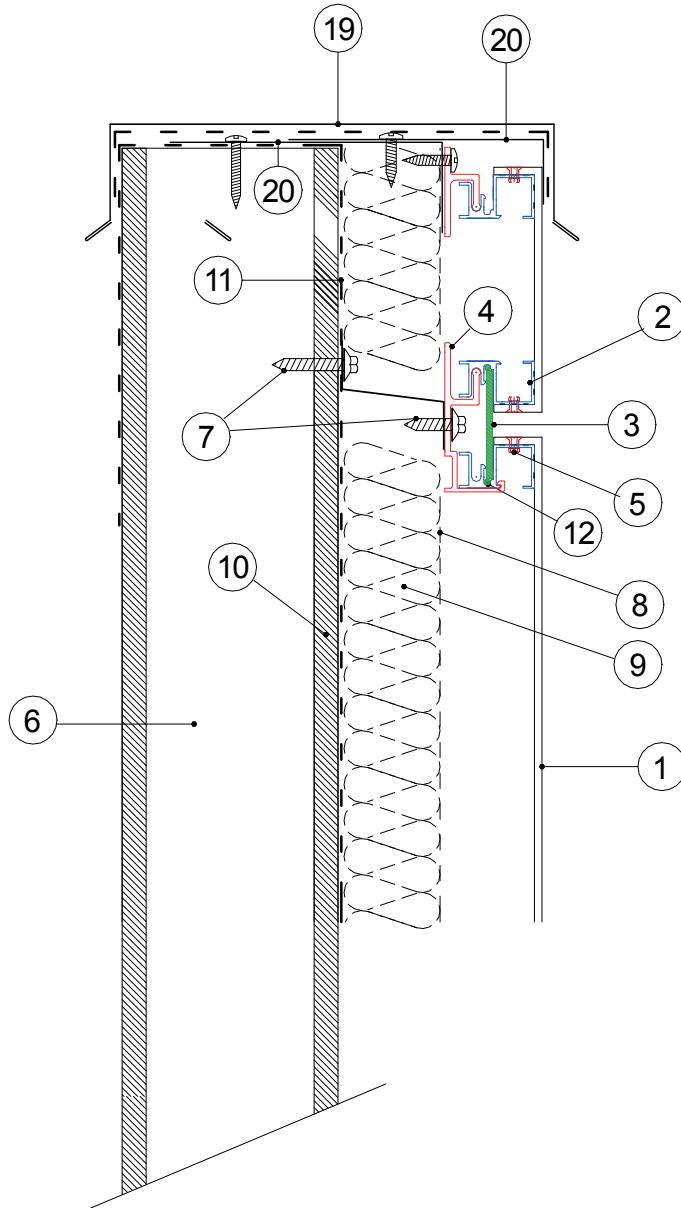


Sprayed on Insulation Wall Assembly
Recommended for Concrete or Concrete Block Walls

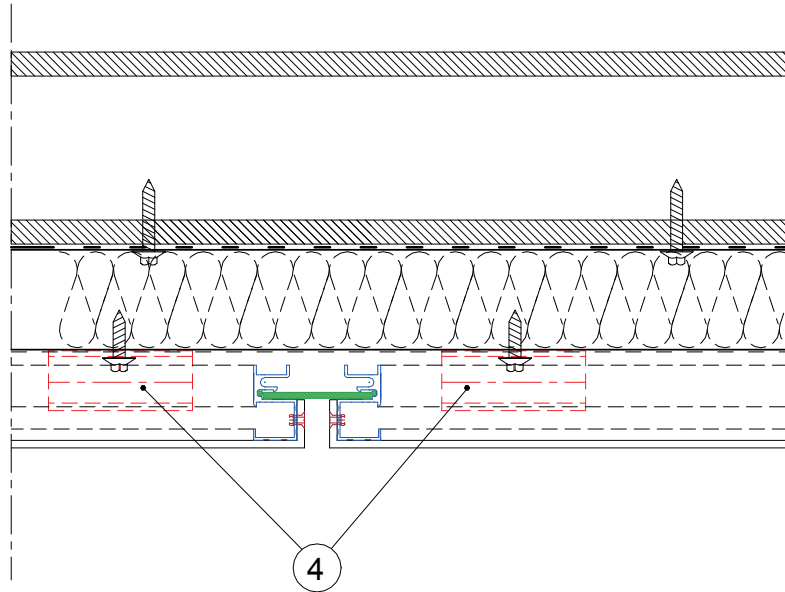
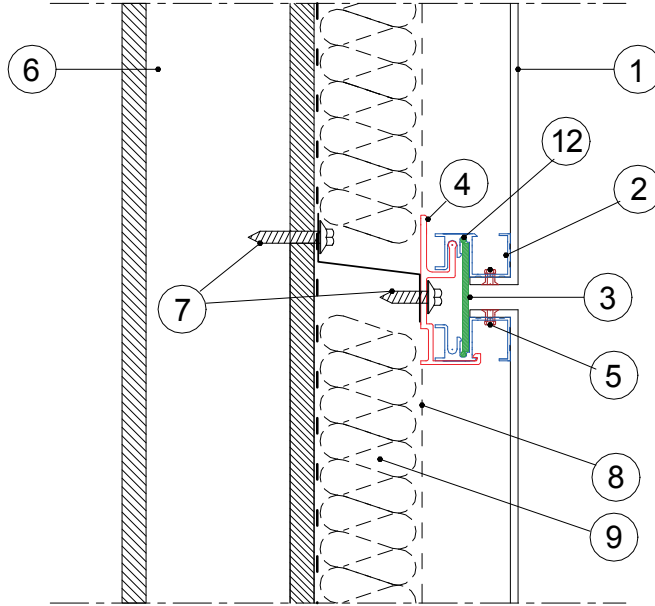
PANELEX <small>INDUSTRIES</small> PANEL DIVISION Contractor:	Shop Drawing Component: STUD WALL ASSEMBLY		SCALE :	IMPORTANT PHONE #
	Approved For Production By : DATE :		DATE :	
Project: GENERAL ARRANGEMENT	NAME :	PHONE #	REVISION :	
			DESIGN BY: GREGORY PALAMARZ <small>ENG.(P&E)</small>	DESIGNER Cell # (604) 307-4472
			DRAWN BY: GREGORY PALAMARZ <small>ENG.(P&E)</small>	SHEET : 03



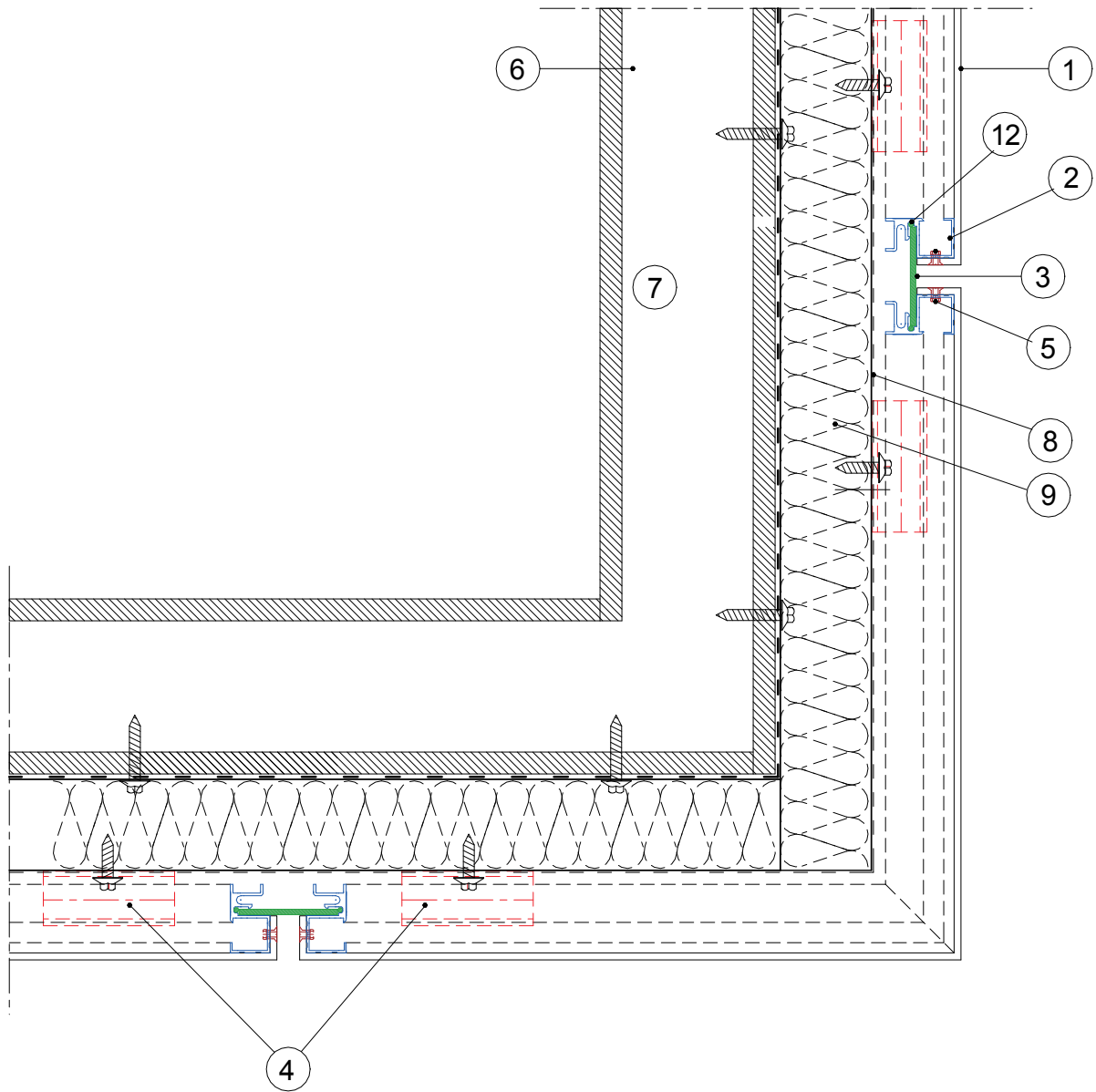
PANELEX <small>INDUSTRIES</small> PANEL DIVISION	Shop Drawing Component:		SCALE :	IMPORTANT PHONE #
	LOCATION		DATE :	
Contractor:	Approved For Production By :	DATE :	REVISION :	
Project:	NAME :		DESIGN BY:	DESIGNER Cell # (604) 307-4472
GENERAL ARRANGEMENT	PHONE #		DRAWN BY:	SHEET : A
			GREGORY PALAMARZ (ENG. REGD.)	
			GREGORY PALAMARZ (ENG. REGD.)	



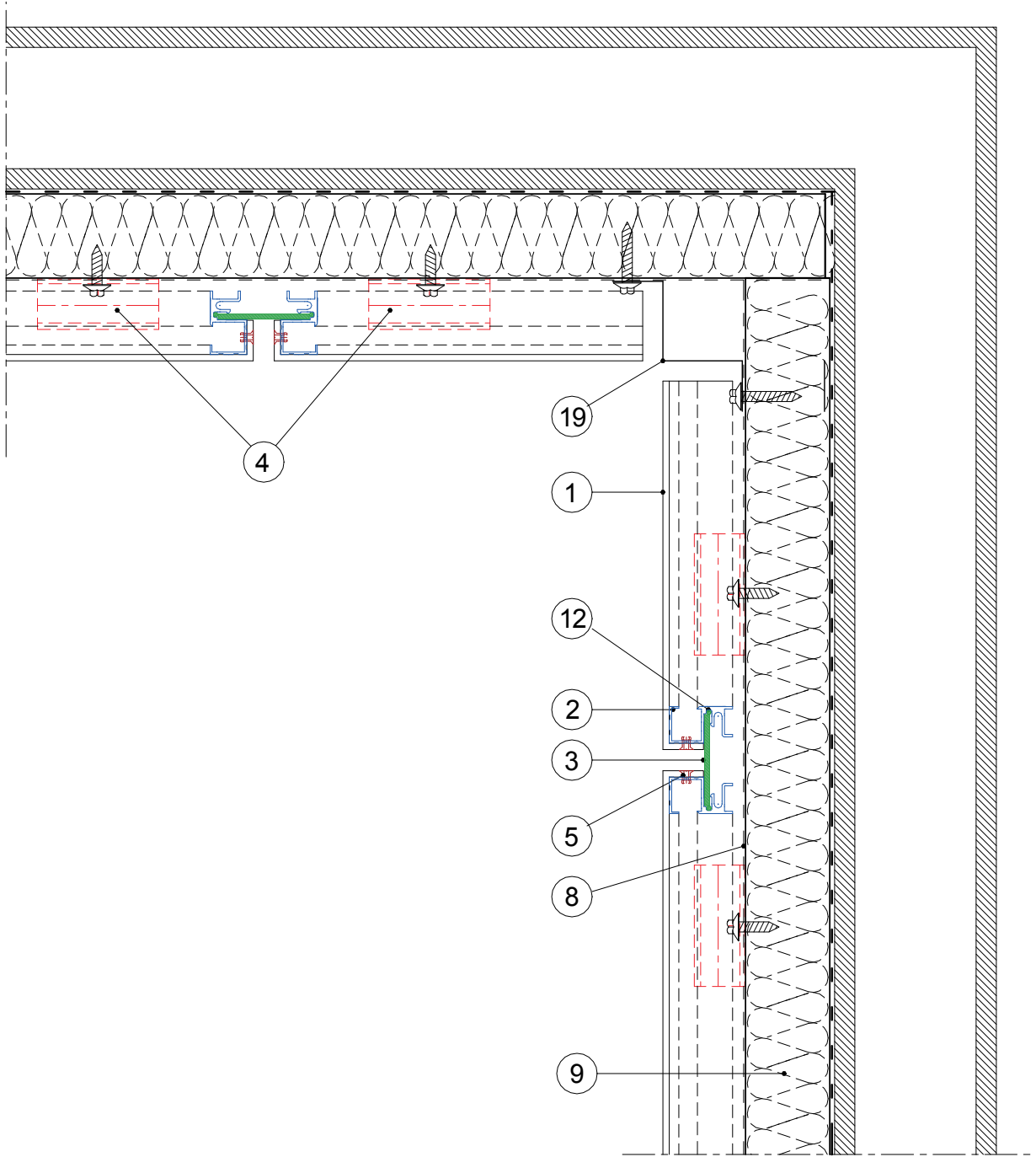
PANELEX <small>INDUSTRIES</small> CONTRACTOR:	Shop Drawing Component: LOCATION		SCALE:	IMPORTANT PHONE #
	Approved For Production By:		DATE:	REVISION:
Project: GENERAL ARRANGEMENT	NAME:	PHONE #	DESIGN BY: GREGORY PALAMARZ (ENG. REG. ID)	DESIGNER Cell # (604) 307-4472
			DRAWN BY: GREGORY PALAMARZ (ENG. REG. ID)	SHEET: B



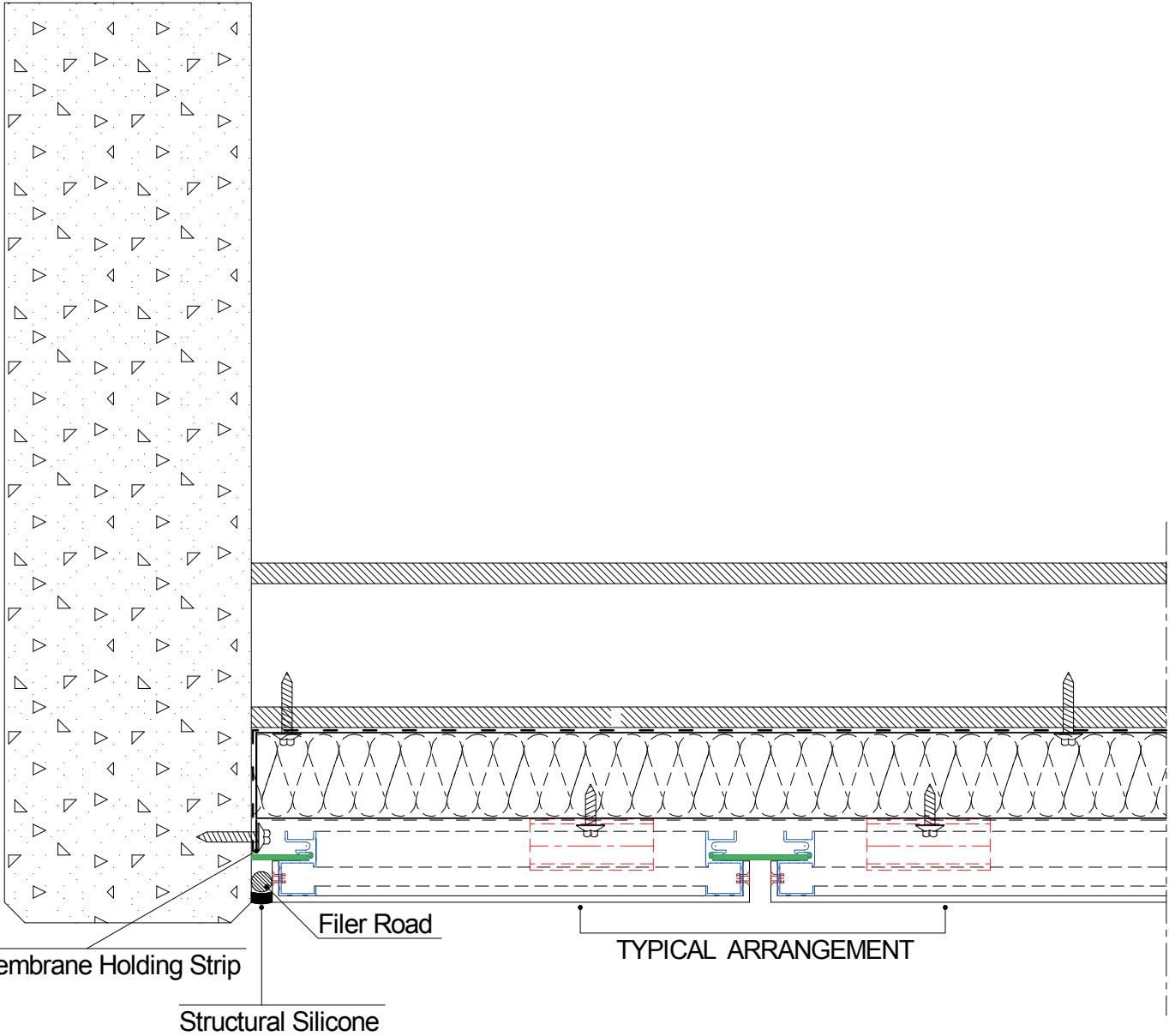
PANELEX <small>INDUSTRIES</small> Contractor:	Shop Drawing Component: LOCATION		SCALE :	IMPORTANT PHONE #
	Approved For Production By :		DATE :	
Project: GENERAL ARRANGEMENT	NAME :	PHONE #	REVISION :	
			DESIGN BY: GREGORY PALAMARZ (ENG.P882)	DESIGNER Cell # (604) 307-4472
			DRAWN BY: GREGORY PALAMARZ (ENG.P882)	SHEET : C



PANELEX <small>INDUSTRIES</small> Contractor:	Shop Drawing Component: LOCATION		SCALE :	IMPORTANT PHONE #
	Approved For Production By :		DATE :	
Project:	NAME :	DATE :	REVISION :	
GENERAL ARRANGEMENT	PHONE #	DESIGN BY: GREGORY PALAMARZ (ENG. REG.)	DRAWN BY: GREGORY PALAMARZ (ENG. REG.)	DESIGNER Cell # (604) 307-4472 SHEET : D



PANELEX <small>INDUSTRIES</small> CONTRACTOR:	Shop Drawing Component: LOCATION		SCALE :	IMPORTANT PHONE #
	Approved For Production By :		DATE :	
Project: GENERAL ARRANGEMENT	NAME :	DATE :	REVISION :	
	PHONE #		DESIGN BY: GREGORY PALAMARZ (ENG. REG.)	DESIGNER Cell # (604) 307-4472
			DRAWN BY: GREGORY PALAMARZ (ENG. REG.)	SHEET : E



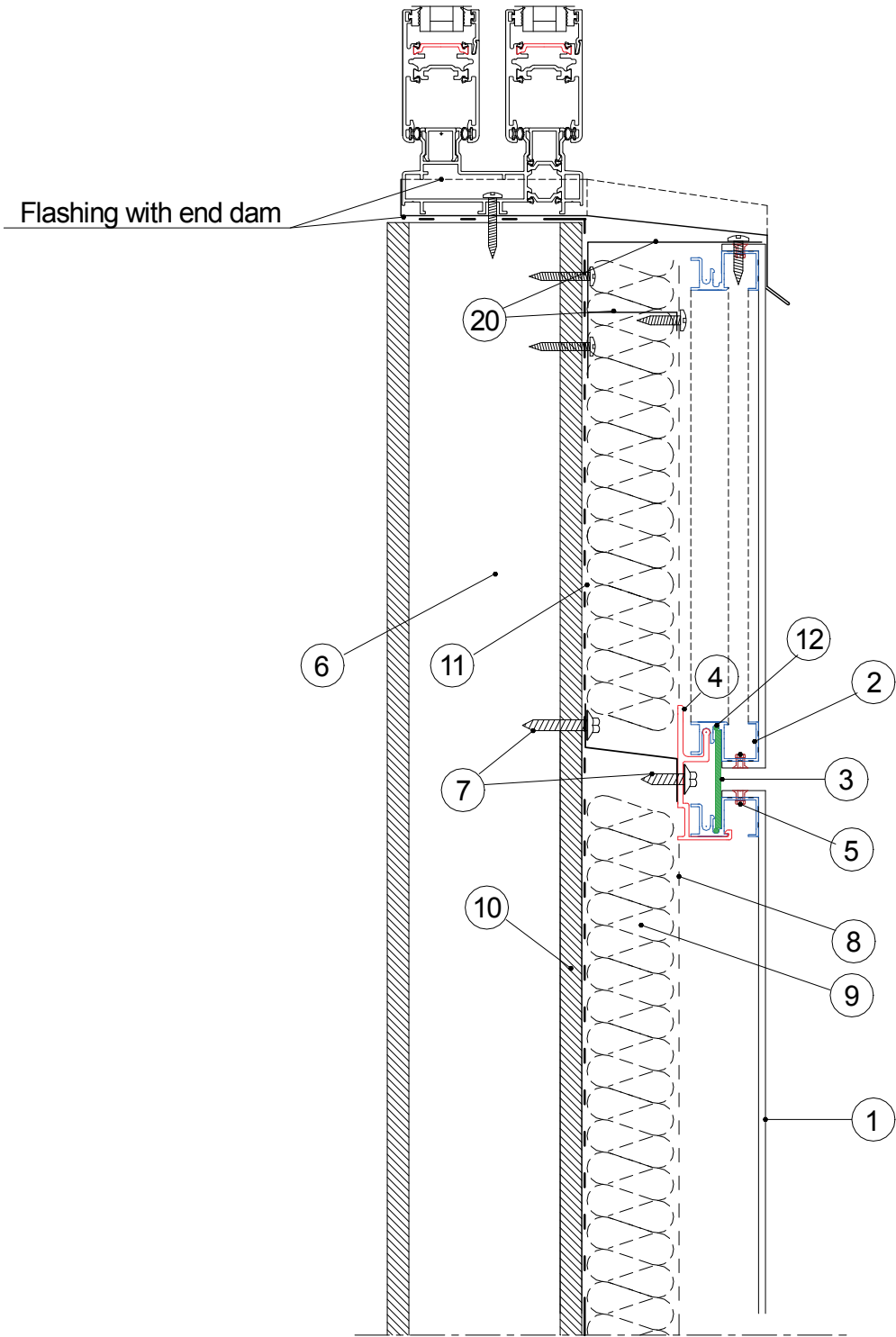
Membrane Holding Strip

Structural Silicone

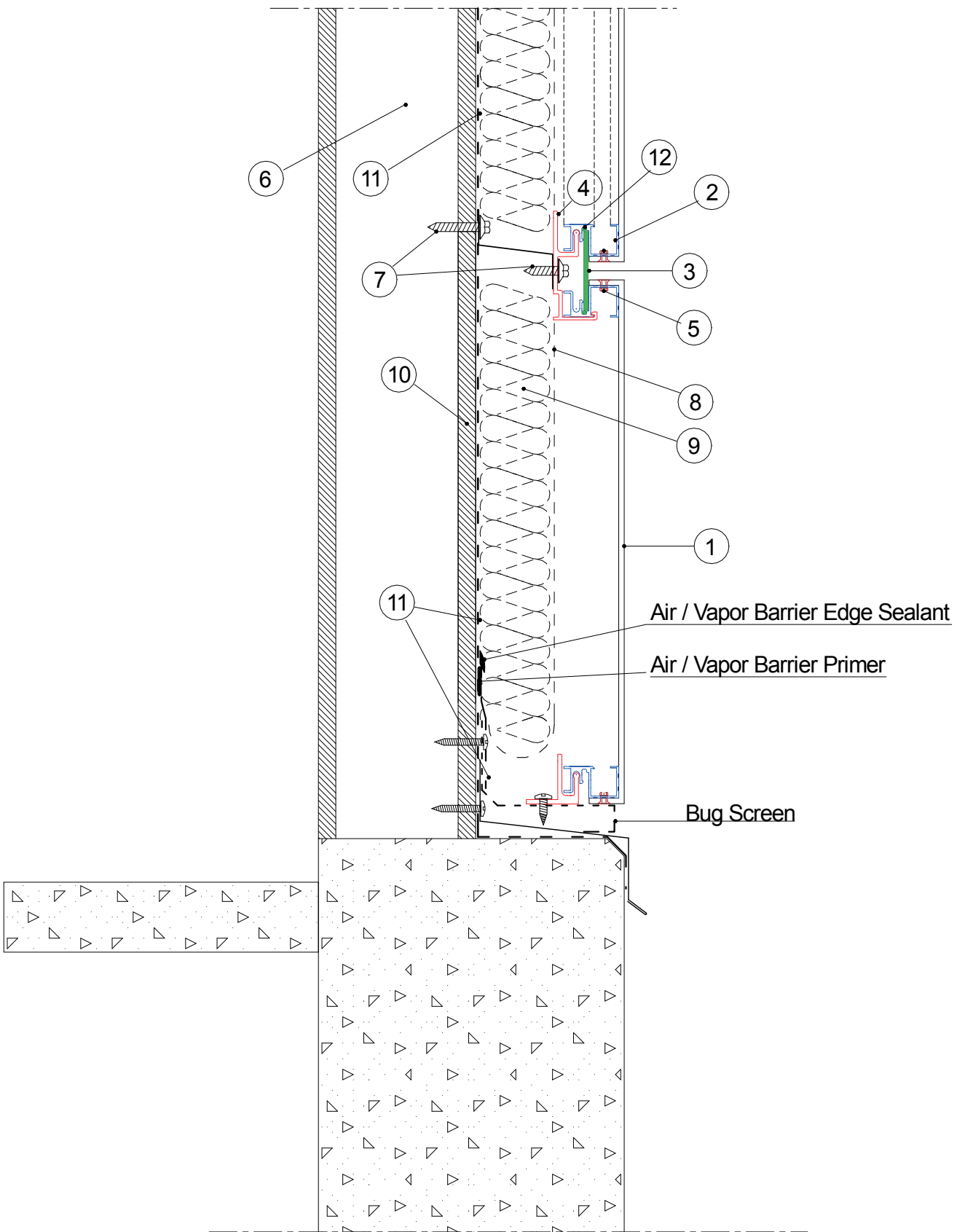
Filer Road

TYPICAL ARRANGEMENT

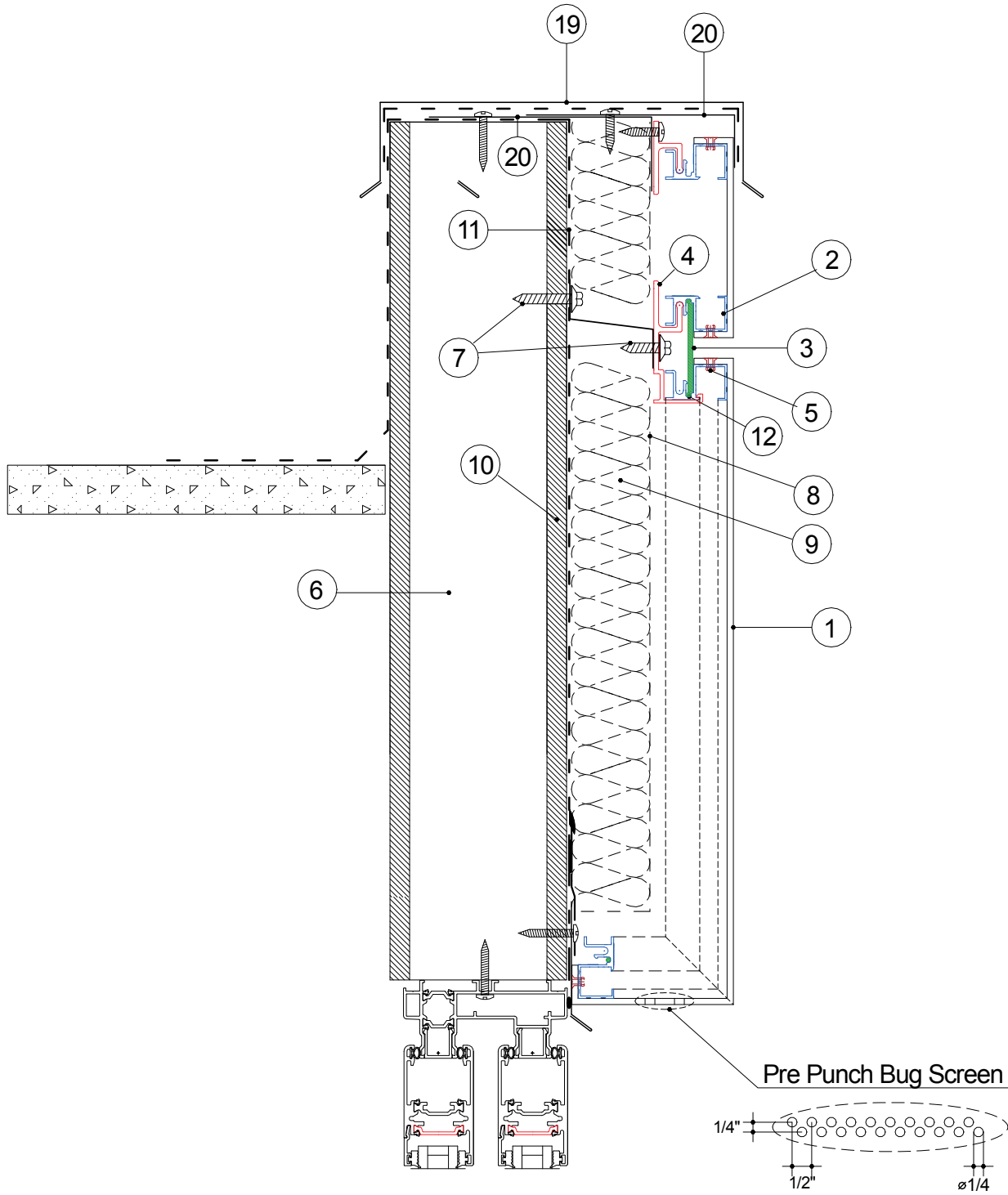
PANELEX <small>INDUSTRIES</small> Contractor:	PANEL DIVISION Approved For Production By :	Shop Drawing Component:		SCALE :	IMPORTANT PHONE #
		LOCATION		DATE :	
Project:	NAME :	DATE :	REVISION :	DESIGN BY: GREGORY PALAMARZ (ENG.P850)	DESIGNER Cell # (604) 307-4472
GENERAL ARRANGEMENT	PHONE #		DRAWN BY: GREGORY PALAMARZ (ENG.P850)	SHEET :	F



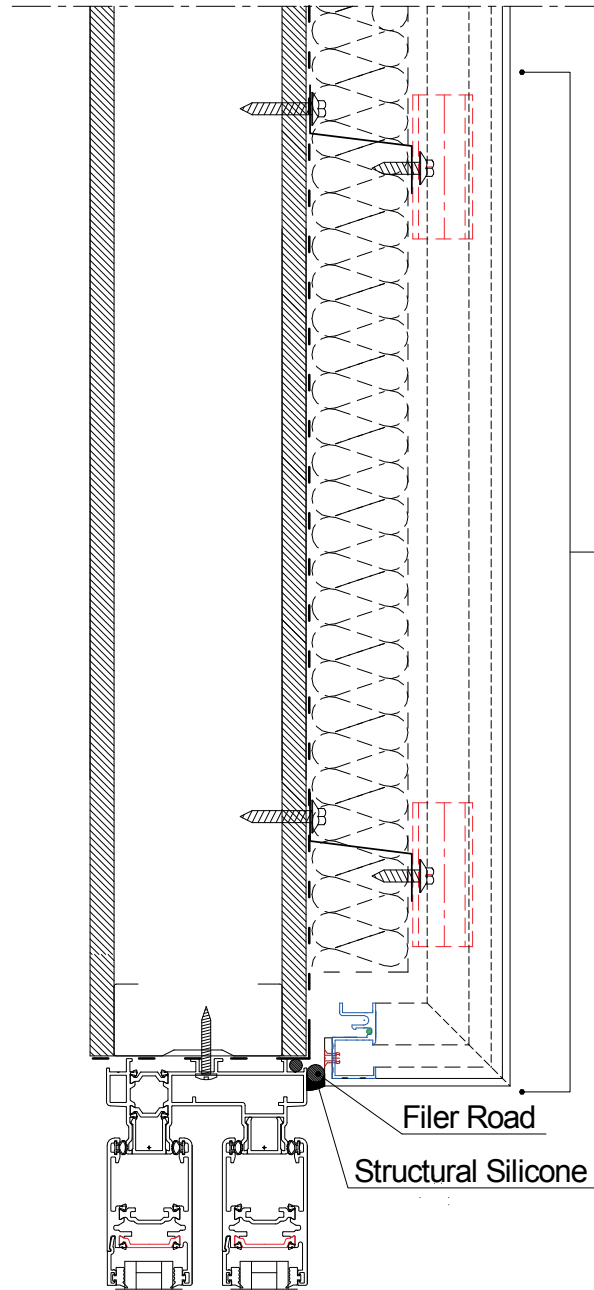
PANELEX <small>INDUSTRIES</small> Contractor:	Shop Drawing Component: LOCATION		SCALE :	IMPORTANT PHONE #
	Approved For Production By :		DATE :	
Project: GENERAL ARRANGEMENT	NAME :	DATE :	REVISION :	
	PHONE #		DESIGN BY: GREGORY PALAMARZ (ENG.P85D)	DESIGNER Cell # (604) 307-4472
			DRAWN BY: GREGORY PALAMARZ (ENG.P85D)	SHEET : G



PANELEX <small>INDUSTRIES</small> Contractor:	Shop Drawing Component: LOCATION		SCALE :	IMPORTANT PHONE #
	Approved For Production By :	DATE :	REVISION :	
Project: GENERAL ARRANGEMENT	NAME :	PHONE #	DESIGN BY: GREGORY PALAMARZ (ENG.P85D) DRAWN BY: GREGORY PALAMARZ (ENG.P85D)	DESIGNER Cell # (604) 307-4472 SHEET : H

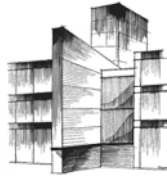


PANELEX <small>INDUSTRIES</small> PANEL DIVISION	Shop Drawing Component:		SCALE :	IMPORTANT PHONE #
	LOCATION		DATE :	
Contractor:	Approved For Production By :	DATE :	REVISION :	
Project:	NAME :		DESIGN BY:	DESIGNER Cell # (604) 307-4472
GENERAL ARRANGEMENT	PHONE #		DRAWN BY:	SHEET :
			GREGORY PALAMARZ (ENG. REGD.)	K
			GREGORY PALAMARZ (ENG. REGD.)	



TYPICAL ARRANGEMENT

PANELEX <small>INDUSTRIES</small> Contractor:	PANEL DIVISION Approved For Production By :	Shop Drawing Component: LOCATION		SCALE :	IMPORTANT PHONE #
		NAME :	DATE :	DATE :	REVISION :
Project: GENERAL ARRANGEMENT	PHONE #	DESIGN BY: GREGORY PALAMARZ <small>(ENG. REG. ID)</small>	DRAWN BY: GREGORY PALAMARZ <small>(ENG. REG. ID)</small>	DESIGNER Cell # (604) 307-4472	SHEET : L



PANELEX

PANELEX INDUSTRIES

15371 KNOX WAY
RICHMOND, BC
V6V 3A8

P: 604.241.3173

F: 604.241.3136

www.panelex.ca

sales@panelex.ca